

2000 Super Puma AS332L2

SN: 2503

Price: Call us



Mr. Wakijan, SAB.
Vice President Sales



+62812 3724 7190



sales@landlockedcompany.com



For Immediately Sale

1. Overview

Manufacture Date : July 2000
T.S.N. : 9,076.51 Hours
C.S.N. : 18,481.00
Serial Number : 2503
Registration : D2-ESZ
Manufacturer : Airbus
Helicopters Revision : 01



Mr. Wakijan, SAB.
Vice President Sales



[+62812 3724 7190](tel:+6281237247190)



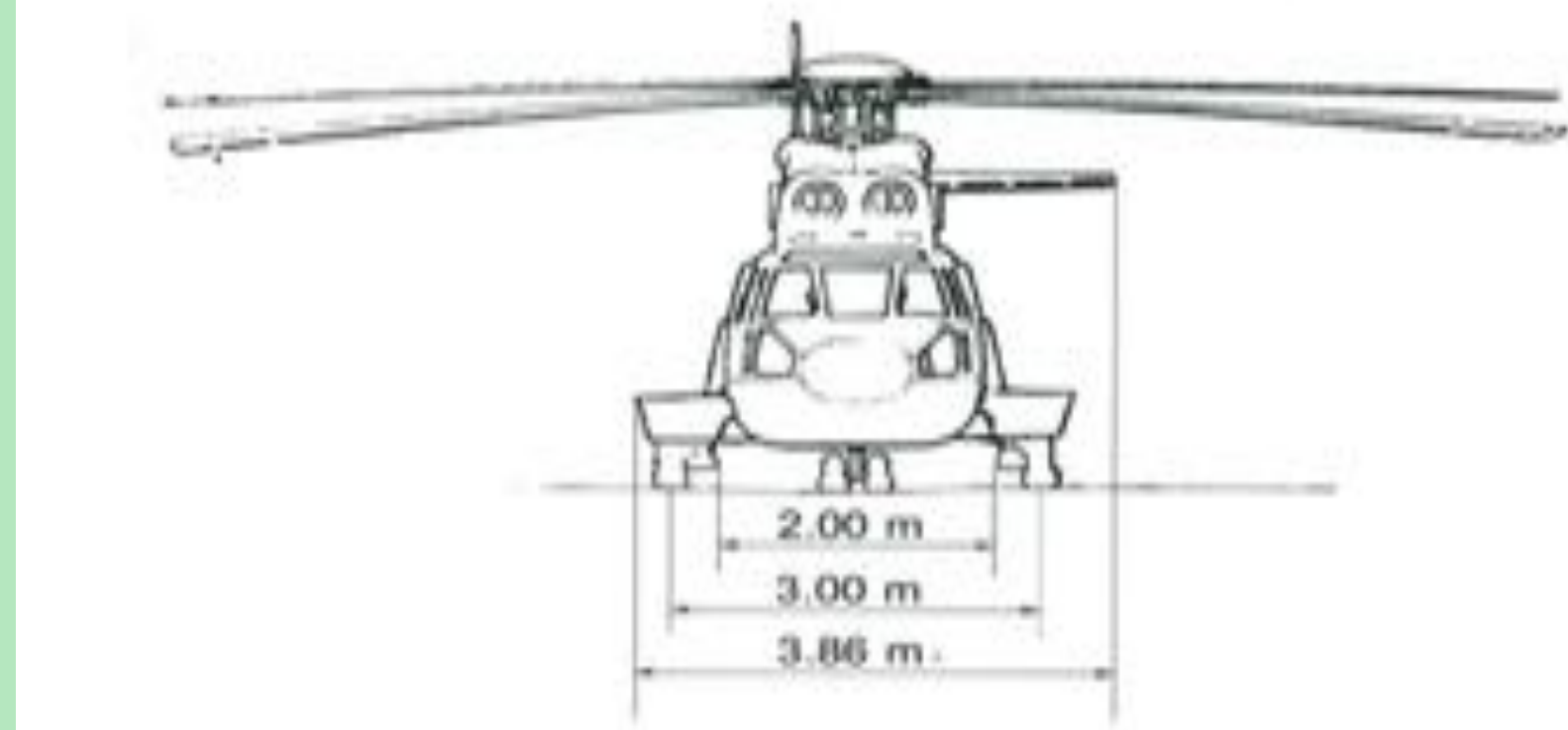
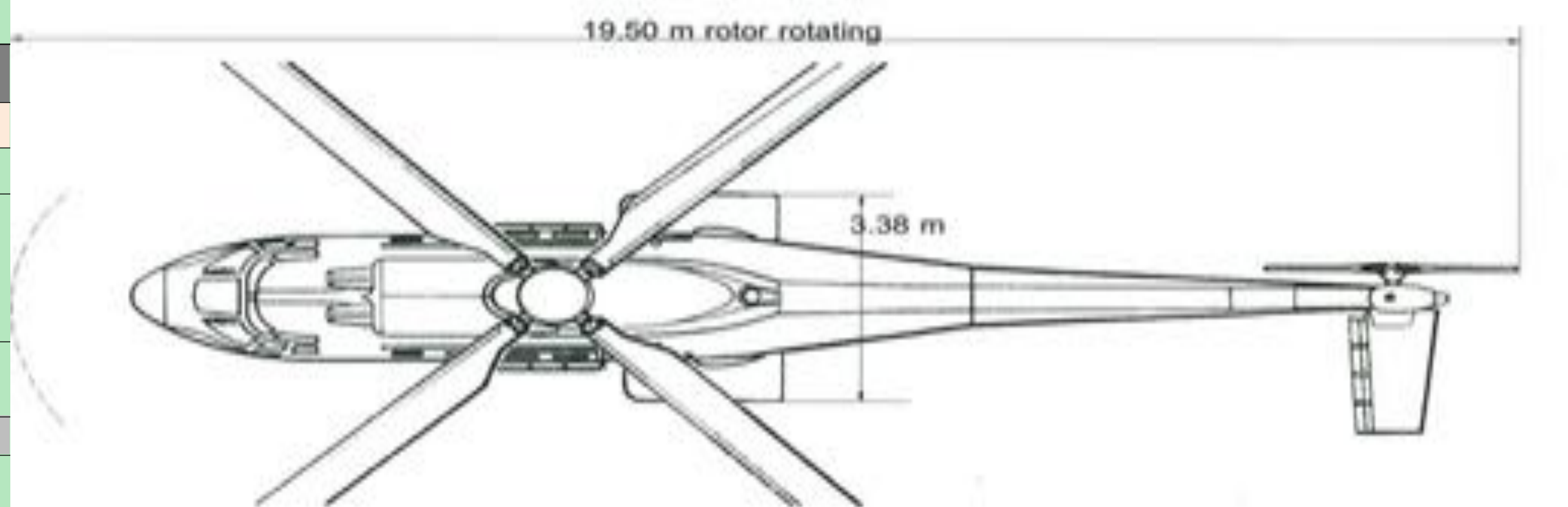
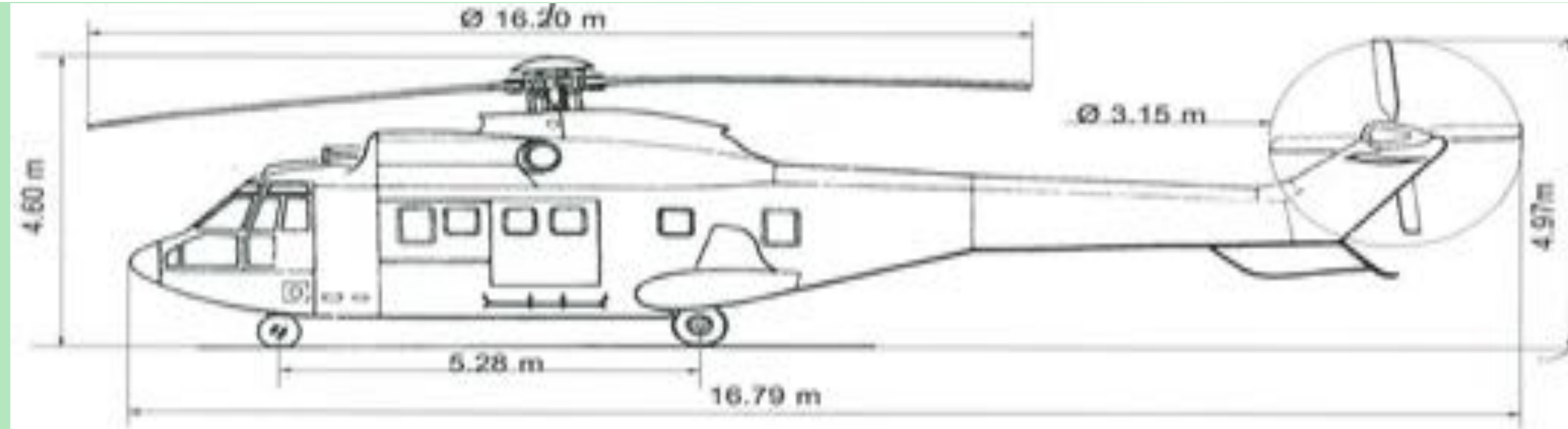
sales@landlockedcompany.com

<https://landlockedcompany.com>



+62812-3724-7190





2. EMPTY WEIGHT AND BALANCE / SUPER PUMA AS332L2 D2-ESZ (S/N:2503)

EMPTY WEIGHT AND BALANCE RECORD CHART C

AIRCRAFT TYPE: AS332I2 S/N - 2503 Regist: D2-ESZ

DATE	ITEMS		DESCRIPTIONS OFF ARTICLE,OR MODIFICATION	WEIGHT CHANGE				Running Total Empty Aircraft			
	IN	OUT		Added		Removed		WEIGHT	MOMENT (N.m)	C.G (m)	INDEX
				Weight	ARM	Weight	ARM				
25-JUL-13			Weight and balance in Equiped Empty Weight					6045	28640,63	4,738	
								6045	28640,63	4,738	

Mr. Wakijan, SAB.
Vice President Sales

+62812 3724 7190

sales@landlockedcompany.com

3. GENERAL ITEMS OF EQUIPMENT/ SUPER PUMA AS332L2 / D2-ESZ (S/N:2503)

Item N°	3. GENERAL ITEMS OF EQUIPMENT	Qty	P/N
3.1	Dual control	1	N/A
3.2	Heating assy	1	N/A
3.3	Emergency floats	4	219413-0 / 212512-2 / 212597-2 / 213428-2 / 213429-2
3.4	Cargo sling (Fixed Parts)	1	N/A
3.5	Public address	1	M1060-B1217-01
3.6	Windshield wipers assy pilot / copilot	1	4011501
3.7	24V external plug	1	
3.8	Emergency life rafts	2	00051047 /00051048 /00051054 /00051055
3.9	Retractable landing light	1	4202104
3.10	Push out windows	1	N/A
3.11	MARMS-Vibration Monitoring System	1	241-271-006-013
3.12	HEELS- Helicopter Emerg. Exit Lighting Syst.	1	N/A

4. SPECIFIC EQUIPMENT/ SUPER PUMA AS332L2 / D2-ESZ (S/N:2503)

Item N°	4. Specific equipment	Qty	P/N
4.1	Anti-Collision Strobe Lights	1	S1226BA7079 / 6485400 / 2LA003849-00 / 6481701 / 6481702 / 6485400
4.2	Hand Held Fire Extinguishers	3	BA51012GR-3 / BA51012R-5 /
4.3	Life Vests	19	HV-35C / S7200-2

5. INTERIOR LAYOUT/ SUPER PUMA AS332L2 / D2-ESZ (S/N:2503)

Item N°	5. Interior layout	Qty	P/N
5.1	Seat Configuration – Passenger	19	19200-00-00 / 19200-00- 03 / 071804 – 007 - 0009



Mr. Wakijan, SAB.
Vice President Sales



+62812 3724 7190



sales@landlockedcompany.com

6. AVIONIC: FULL IFR/ SUPER PUMA AS332L2 / D2-ESZ (S/N:2503)

Item N°	6. Avionic: Full IFR	Qty	P/N
6.1	VHF 422A Collins	2	622-7292-123 / 822-2993-110
6.2	VHF/FM NAT NPX138N	1	NPX138N000 / NPX138N500
6.3	HF 9030F	1	622-8112-003
6.4	VOR/VIR-432 Collins	2	622-7194-201 / 822-1579-001
6.5	ADF 462A Collins	1	622-7382-101 / 822-1465-001
6.6	Weather Radar RDR1600 Honeywell	1	379-2011-001 / 4000-831-0105
6.7	Radio Altimeter AHV-16 Collins	1	9599 - 607 - 18503
6.8	Transponder TDR 94D Collins	1	622-9210-008 / 622-9210-409
6.9	DME DM 442 Rockwell Collins	1	622-7309-101 / 822-1466-001
6.10	GPS / FMS CMA 3000 CMC Electronics	1	100-601951-103 / 100-601951-503
6.11	EGPWS MKXXII Honeywell	1	965-1595-026 / 965-1595-024 / 965-1595-028
6.12	TCAS I HP899 Honeywell	1	N/A
6.13	ELT KANNAD 406A	1	S1825502-02
6.14	SSCVFDR HoneyWell	1	DK120

7. OPTIONAL EQUIPMENT/ SUPER PUMA AS332L2 / D2-ESZ (S/N:2503)

Item N°	7. Optional Equipment	Qty	P/N
7.1	Techtest Personal Locator Beacon 500-27Y	4	N/A
7.2	Skytrack Satcom ISAT-100	1	ISAT-100



Mr. Wakijan, SAB.
Vice President Sales



+62812 3724 7190



sales@landlockedcompany.com

8. MAJOR COMPONENTS STATUS/ SUPER PUMA AS332L2 / D2-ESZ (S/N:2503)

	Time Since New / Overhaul	TBO/SLL (FH)
Main Blade	4817,12	20000
Main Blade	4587,67	20000
Main Blade	5849,72	20000
Main Blade	151,67	20000
M.G.B	2157,69	3000
I.G.B	1201,66	2700
T.G.B	2208,43	3500

MAKILA 2A1			
ENGINE # 1 SN: 3017	Time Since New / Overhaul(H)	TBO/SLL (FH)	CALENDAR TBO (Y)
AIR INTAKE CASING	1084,36	3000	15
AXIAL COMPRESSOR	1084,36	3000	15
HP GENERATOR	1084,36	3000	15
FREE TURBINE	1084,36	3000	15
FUEL CONTROL UNIT	133,26	3000	07

MAKILA 2A1			
ENGINE # 2 SN: 3075	Time Since New / Overhaul(H)	TBO/SLL (FH)	CALENDAR TBO (Y)
AIR INTAKE CASING	1282,25	3000	15
AXIAL COMPRESSOR	1282,25	3000	15
HP GENERATOR	1282,25	3000	15
FREE TURBINE	1282,25	3000	15
FUEL CONTROL UNIT	1282,25	3000	07

Components times remaining subject to buyer's verification prior to purchase.



Mr. Wakijan, SAB.
Vice President Sales



+62812 3724 7190



sales@landlockedcompany.com

Landlocked Company, LLC has specialized in Global corporate aircraft brokerage, sales, acquisition, General Aircraft Interior Conversions and financing solutions. Providing value for our customer; offering the highest level of turnkey service solutions from concept, through closing and post delivery customer support. With team of full experience, leadership and expertise, combined with proprietary market analysis. We deliver the insight you need to make aircraft decisions that are tailored to your needs now and into the future. Helping you manage your aviation assets to maximize and maintain value.

Our Services : Aircraft Acquisitions - Aircraft Sales - Aircraft Trade Transitions - Aircraft Lease Financing - Aircraft Valuations Market Analysis, please contact us for all of your need and we will reply as our best solution for you.

More info and pricing, please contact our team:



Everette C. Mash III
CEO – Managing Member

+1 954 696 6802

info@landlockedcompany.com



611 South DuPont Hwy
Dover, Delaware 19901 - USA

<https://landlockedcompany.com>



Mr. Wakijan, SAB.
Vice President Sales

+62812 3724 7190

sales@landlockedcompany.com