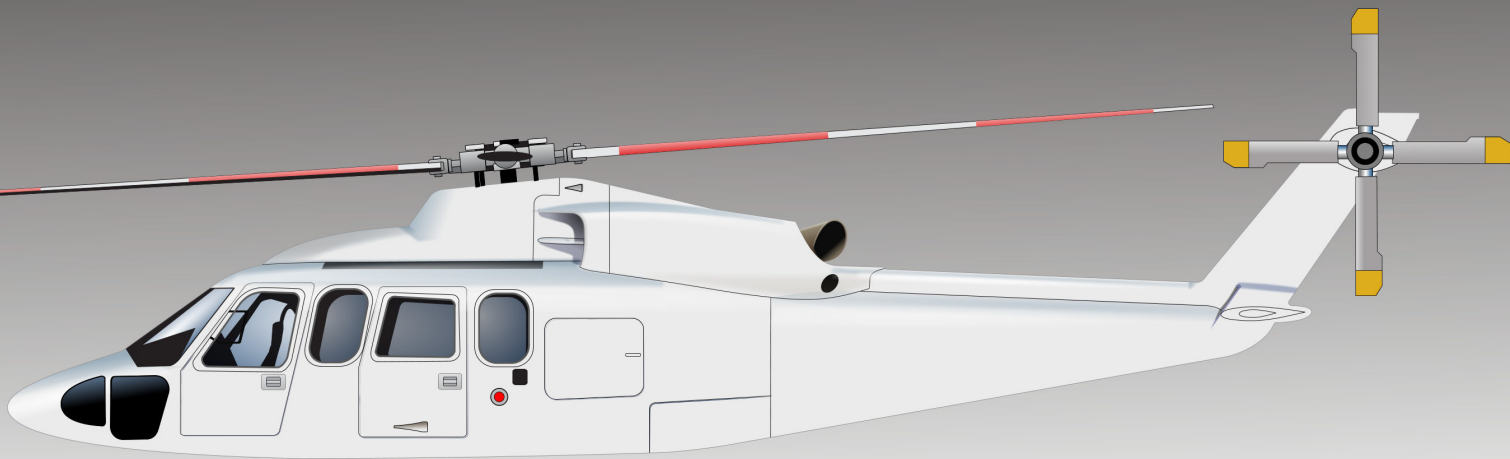


FOR SALE



WORLDWIDE FLEET MANAGEMENT



2014 Sikorsky S-76D

SN 761054 | AFTT 14 Hrs | Like New! Just released from Super Long-Term Storage

Location: Canada

Interior ★★★★★

Exterior ★★★★★

ACCESSORIES

- Active Vibration Control
- HUMS Aircraft Health & Monitoring System
- Bleed Air Heater with Windshield Defrost
- Air Conditioning
- 5 Point Restraint System – Crew
- 4 Point Restraint System – Passengers
- Heated Glass Windshields
- HEELS – Emergency Egress Lighting System
- Emergency Floatation System
- External Liferaft Deployment System
- Automatic Deployable ELT

AVIONICS

- Thales TopDeck Avionics Suite
- Thales TopDeck Upgrade for WAAS/LPV with dual GPS
- CVR/FDR
- Collins TDR 94D Mode S Transponder with ADS-B
- Dual Collins VHF-400 Comm
- Dual Collins Proline 21 NAV 4500 and NAV 4000
- Dual Cobham 380 Audio Panels
- Honeywell Primus Weather Radar
- Honeywell Mk XXII EGPWS
- Honeywell KTA970 TCAS 1 Traffic Alert and Avoidance System
- Sky Connect MMU-II Flight Following and Voice Communication System
- Technisonic TFM 138B VHF/FM Transceiver
- HISL High Intensity Strobe/Anti-Collision Lights

Preliminary specs to be verified by buyer. Subject to prior sale or disposition without notice.

1/1

helicoptersales@eaglecopters.com | www.eagle-worldwide.com

Nth America +1 403 250 7370 | Sth America +56 2 2948 3200 | Australasia + 61 401 82 55 38